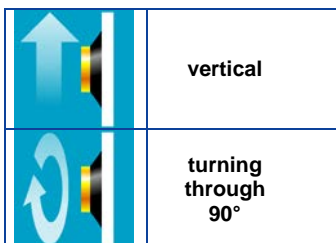
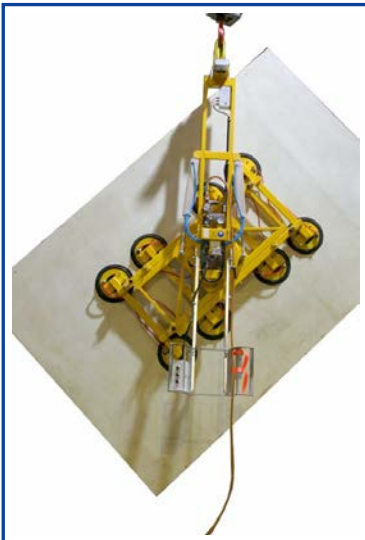
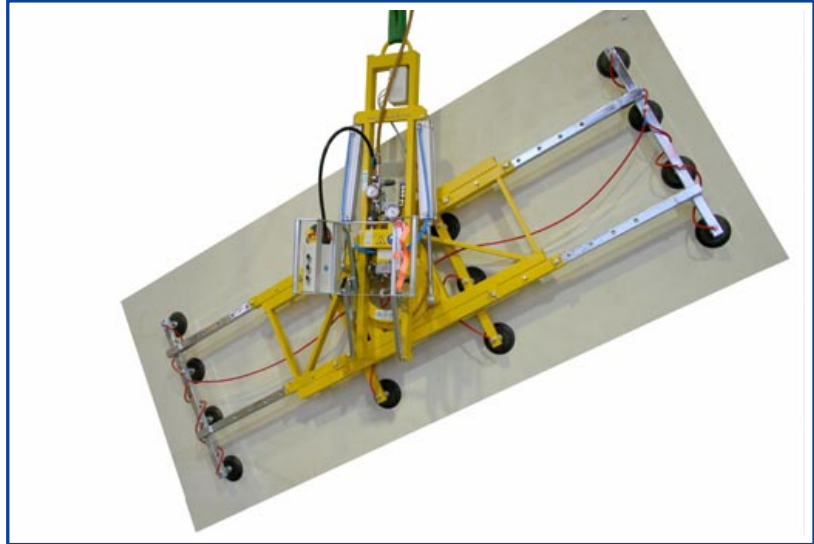


Manipulation Device 7025-MD7/E

1-circuit vacuum lifting
device according to
EN 13155



Description

- **1 circuit vacuum system**
- the vacuum circuit has a vacuum tank with non-return valve, vacuum switch and control vacuum meter
- **completely closed vacuum circuit**
prevents loss of vacuum at compressed air failure
- **power failure monitoring system**
- acoustic signal
reports insufficient vacuum/drop in air pressure
- all suction cups lockable individually
- extensible suction frame
- stepless turning through 90°
with pneumatic cylinder
- height-adjustable operating handle
- holder for crane switch

Vacuum generation

- via built-in suction jet (Venturi)
for operation at least 6 bars compressed air are necessary
- optional air pressure switching
- optional quick-release function

Operation

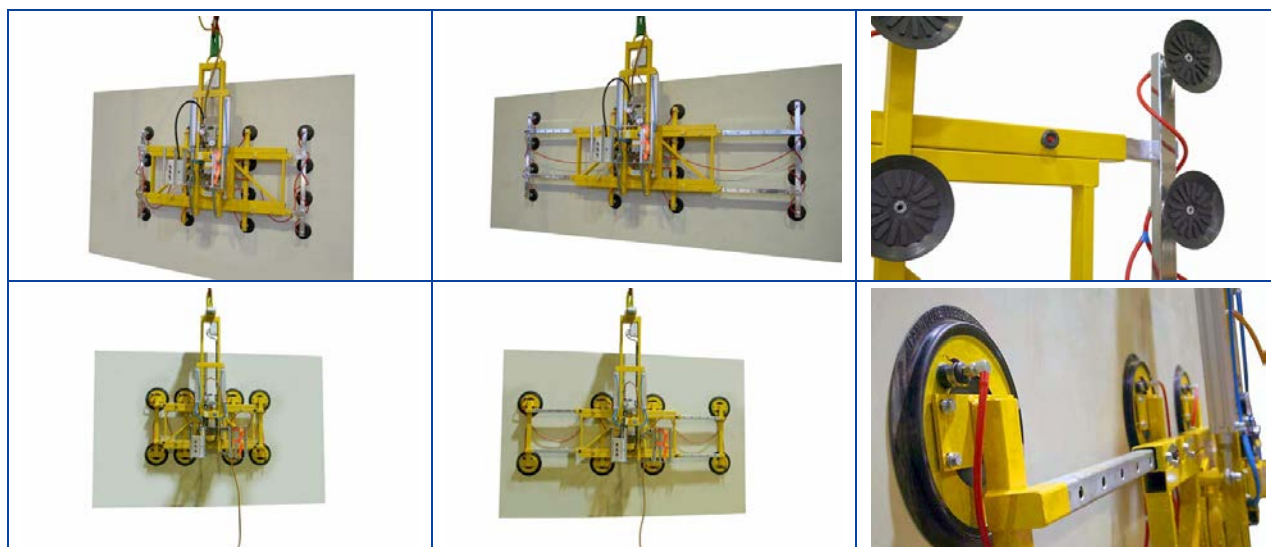
- | | |
|-----------|------------------------|
| • ON/OFF | directly at the device |
| • SUCTION | via a touch valve |
| • RELEASE | via two touch valves |
| • TURNING | via two touch valves |

Suspension: crane eye at the carrying frame

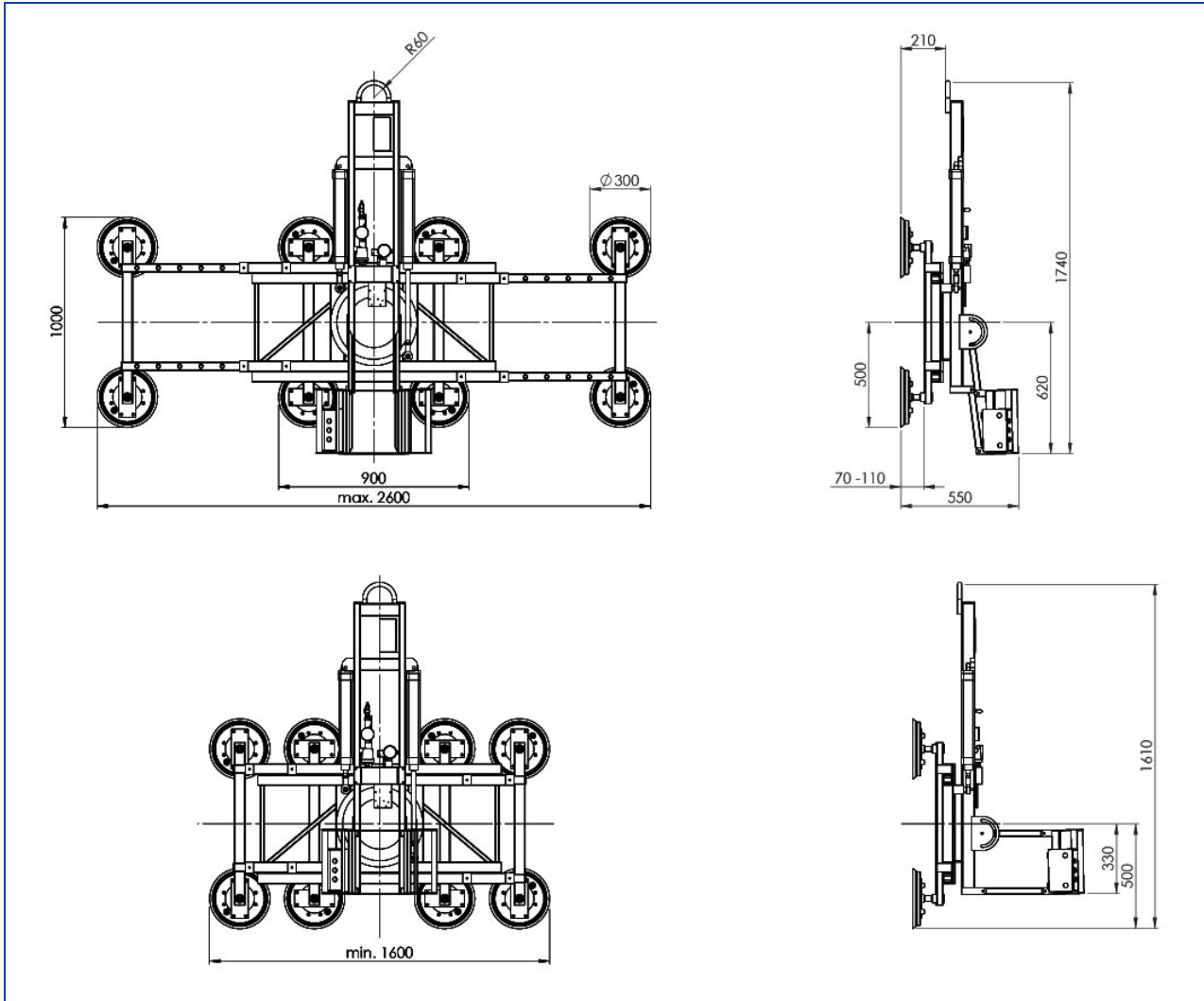
Load capacity : 300 kg / 500 kg

Colour: yellow / partly zinked

suitable for lifting			
material properties	gas-tight		
surface	smooth		
e. g.	glass panes, sealed units, window and curtain walling elements, plastic and ceramic plates, coated boards		
suction cup type	X140	388	
diameter in action approx. mm	140	300	
quality of suction cups	black rubber abrasion possible up to 80° C heat resistant from 2 mm glass thickness	black rubber abrasion possible up to 80° C heat resistant from 4 mm glass thickness	
number of suction cups	16	4	8
safe working load on smooth and clean surface at 60 % vacuum in-company kg	300	400	500
outer distance of the suction cups min. approx. mm max. approx. mm	1600 x 1000 2600 x 1000	900 x 1000	1600 x 1000 2600 x 1000
dead weight approx. kg	114		
air pressure connection	9 mm		
Item No.: 7025-MD7/E...	140	388	
Accessories on request			
Item No.: OPT-DLSpar	air pressure saving switching – saves approx. 50% of the air pressure consumption		
Item No.: OPT-SLF	quick-release function – with full pressure supply		
Item No.: OPT-388TR	device equipped with : mark-free suction cups for coated glass		
Item No.: OPT-388K	device equipped with : softer suction cup for thinner glass		



Manipulation Device 7025-MD7/E with suction cups 388



Manipulation Device 7025-MD7/E with suction cups 388

